

460SJC

TELESCOPIC CRAWLER BOOM LIFT

BOOM LIFT



KEY SPECS

Platform Height
45.54-ft / 13.88-m

Horizontal Outreach
39-ft / 12-m

Drive Speed
1.8 mph / 2.9 km/h

Platform Capacity
600-lb / 272-kg

KEY FEATURES

- Features a 6-ft articulating jib that lets operators reach more and reposition less while avoiding obstacles.
- Utilizes variable-speed engine controls to reduce operating costs and engine wear and tear.
- Delivers 600-lb unrestricted capacity allowing operators to carry more tools.
- Complies with A92.20 ANSI regulations, achieving the highest standards.

ACCESSORIES & OPTIONS

- 1/2-in Airline to Platform
- AC Generator, 2500W or 4000W
- Accessory Packages:
 - SkyGlazier® Package
 - SkyPower® Package
 - SkyWelder® Package
- Arctic Package¹
- Bolt-on Fall Arrest System
- Cold Weather Start Package²
- Light Package
- Platform Mesh to Mid or Top Rail, Plastic
- Platforms
 - Drop Bar, 30 x 36-in, 30 x 60-in, 36 x 72-in, 36 x 96-in
 - Fall Arrest, Rear Entry, 36 x 72-in, 36 x 96-in
 - Inward Self-Closing Swing Gate, 30 x 60-in, 36 x 72-in, 36 x 96-in
- Tri-Entry, Drop Bar or Swing Gate, 36 x 72-in, 36 x 96-in
- SkySense® Enhanced Detection System
- Soft Touch
- Storage Tray - Center or Corner

STANDARD SPECIFICATIONS

Performance

Platform Height	45.54-ft / 13.88-m
Horizontal Outreach	39-ft / 12-m
Swing	360 Degrees Continuous
Platform Capacity (Unrestricted)	600-lb / 272-kg
Platform Rotator	180 Degrees Hydraulic
Jib	6-ft / 1.83-m
Range of Articulation	130 Degrees (+70, -60)
Weight*	17,998-lb / 8,164-kg
Max. Ground Bearing Pressure	8.35 psi / .587 kg/cm ²
Drive Speed	1.8 mph / 2.9 km/h
Gradeability	51%
Tilt Cut Out	5 Degrees
Type of Tracks	Rubber
Track Width	15.7-ft / 4-m

Engine

Diesel Fuel – Deutz D2.9L4 Tier 4 Final	49 hp / 36.4 kW
Fuel Tank Capacity	31 gal / 117 L

Tracks

Standard	Steel Tracks
Optional	Steel Tracks with Rubber Pads Non-Marking Rubber Tracks

Hydraulic System

Hydraulic Reservoir	36 gal / 136.27 L
Auxiliary Power	12V DC

STANDARD FEATURES

- 5 Degree Tilt Alarm/ Indicator Light
- 12V-DC Auxiliary Power
- 110V-AC Receptacle in the Platform
- All Motion Alarm
- Articulating Jib
- ClearSky Smart Fleet™ Hardware (CS550)**
- Control ADE® System
- Engine Distress Shutdown – Selectable via Analyzer
- Engine Distress Warning
- Gull-Wing Hoods
- Hourmeter
- Hydrostatic Drive
- LED Motion/Amber Beacon (CS550)**
- Lifting/Tie Down Lugs
- Load Sensing System
- Oscillating Axle
- Platform Console Machine
- Proportional Controls
- SkyGuard SkyLine™
- Platform Console Machine Status Light Panel***
- Swing-Out Engine Tray

*Certain Options or Country Standards Increase Weight.

**Standard Beacon and ClearSky Smart Fleet Hardware Availability Varies by Model Throughout 2023.

***Provides Indicator Lights at Platform Control Console for System Distress, Low Fuel, Degree Tilt Light and Foot Switch Status.

1. Includes arctic hydraulic hoses (drive and steer only) and main boom cable, arctic hydraulic oil, extreme cold engine oil, fuel conditioner, engine block heater, battery blanket, glow plugs, hydraulic tank heater, and oversized footswitch.
2. Includes battery blanket, hydraulic tank heater, block heater.

Note: Some options may increase lead time, and some option combinations may not be available.

Additional accessories and options available via JLG Aftermarket.

460SJC

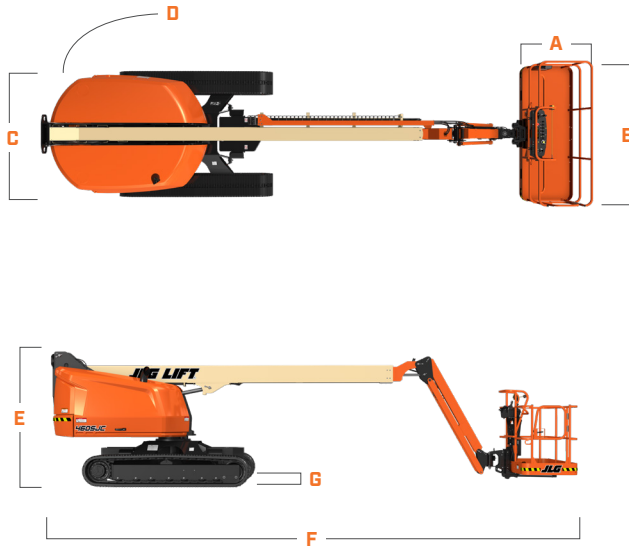
TELESCOPIC CRAWLER BOOM LIFT

BOOM LIFT



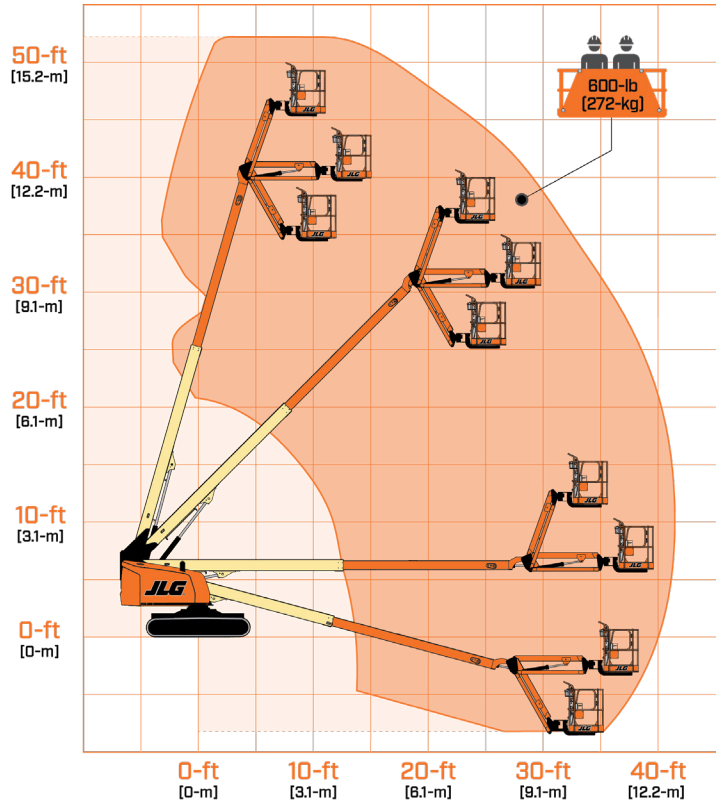
DIMENSIONS

All dimensions are approximate



- A. Platform Width 36-in / 91-cm
- B. Platform Length 96-in / 2.44-m
- C. Machine Width 7-ft 4-in / 2.23-m
- D. Tailswing 3-ft 2-in / 96-cm
- E. Machine Height 7-ft 7.2-in / 2.32-m
- F. Machine Length 29-ft 3-in / 8.9-m
- G. Ground Clearance 16-in / 41-cm

REACH DIAGRAM



We provide coverage for one (1) full year, and cover all specified major structural components for five (5) years. Due to continuous product improvements, we reserve the right to make specification and/or equipment changes without prior notification. This machine meets or exceeds applicable ANSI and CSA requirements based on machine configuration as originally manufactured for intended applications. Please reference the serial number plate on the machine for additional information.



JLG INDUSTRIES, INC.
Toll-free US 877-JLG-LIFT
JLG.com

An Oshkosh Corporation Company